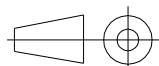
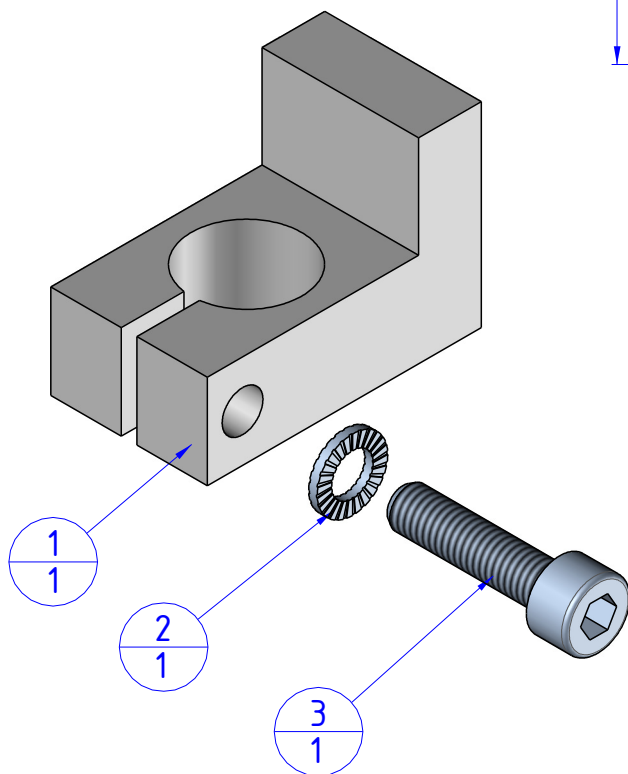
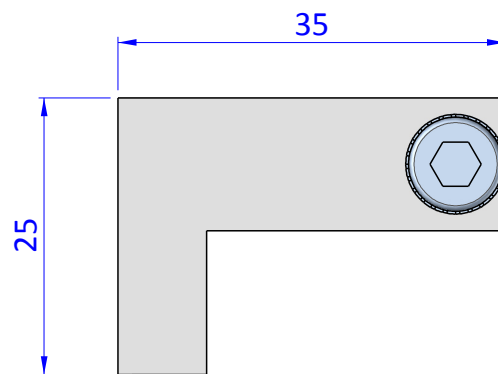
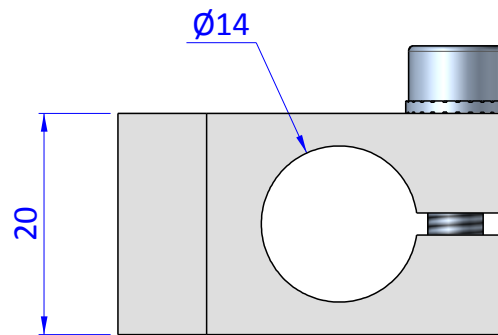


THE PROPERTY OF THE DRAWING IS ESTABLISHED BY LAW. IT IS FORBIDDEN TO PRODUCE OR SHOW IT TO THIRD PART. WITHOUT A WRITTEN AGREEMENT.

Item	Name	Q.ty
1	ANS.14	1
2	R.5.SCH	1
3	V.TCE5x20	1



DESIGNED FROM		REVIEW
FPS Automation		A
DATE	WEIGHT	
02/05/2019	0,005kg	
CODE		
CA.ANS.14		

Format	A4
UNI 936-76	

GENERAL TOLERANCE	DESCRIPTION
UNI - ISO 2768	
CLASSE f	

CA.ANS.14
